



Antenna Pros AX-969 Manual

Contents

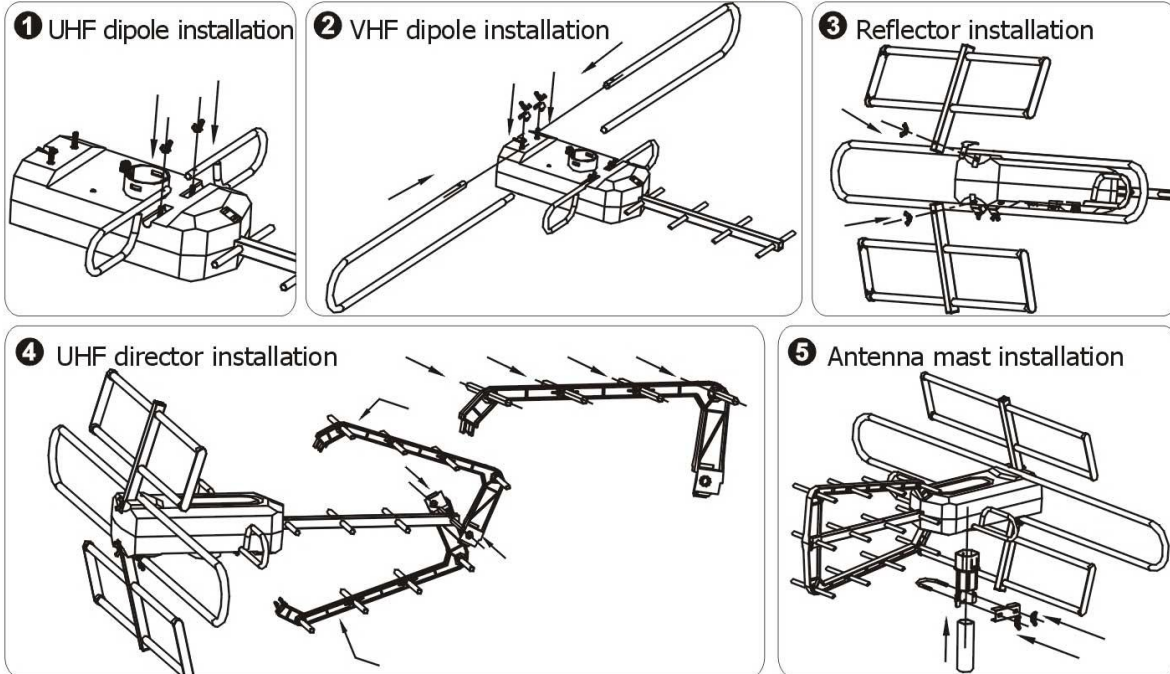
- Shipping List
- Installation Instructions
- Connections
- Technical Information
- Operating Instructions
- FAQs

Shipping List

NO.	Name	Specification	Qty	Image
1	Main Unit		1	
2	VHF dipole clip		1	
3	VHF dipole clip		2	
4	Wing nut	M4	6	
5	Refelctor		2	
6	VHF dipole		2	
7	UHF dipole		2	
8	Director	ϕ 8x150mm	8	
9	75 Ω 1.2m Signal Wire		1	
10	Power Supply		1	
11	Remote controller		1	
12	Instruction manual		1	

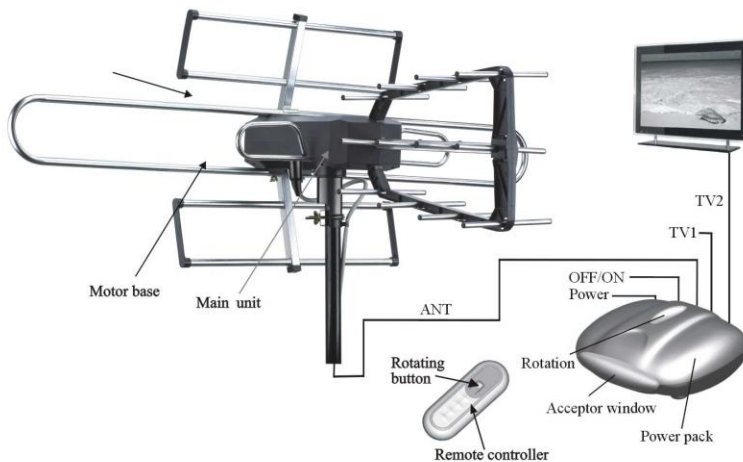
INSTALLATION GUIDE

The antenna is finished after above **5 steps**



Connections

Once the antenna is assembled, you would connect the antenna to the control box. The antenna needs to be connected directly to the control box without any splitters or connectors for the rotor to work since the rotor is powered by the electricity from the control box. The control box has two TV outputs so you can use those outputs to connect to your TVs. You can use splitters and connectors from these TV outputs but please note that the more connectors or splitters you have, the more signal loss you will experience.



**Note that if you do not have a digital TV then you would need to connect a digital converter box(sold separately) to the control box using one of the TV Outputs

MAIN TECHNICAL CRITERIA

Beam width H/V: H
No.of Elements: 18
Channels: 1-69
Frequency Range: 40-862MHz
Antenna VHF Gain: $20 \pm 3\text{dB}$
Antenna UHF Gain: $30 \pm 5\text{dB}$
Impedance: 75Ω
Power: 3W
Input voltage: AC110V

FEATURE

- Tool-free installation.
- Quick and more convenient.
- 360° rotatable for full reception.
- Power supply with overload protection function.
- Infrared remote control for long distance reception and anti-interference.
- Three directors configuration make the reception stronger and image clearer.

Setup & Operating Instructions

Once the antenna is assembled, you would connect the antenna to the control box. The antenna needs to be connected directly to the control box without any splitters or connectors for the rotor to work since the rotor is powered by the electricity from the control box. The control box has two TV outputs so you can use those outputs to connect to your TVs. You can use splitters and connectors from these TV outputs but please note that the more connectors or splitters you have, the more signal loss you will experience.

Once you have connected everything properly. It's time to turn on your TV and get it set up for your antenna. There are many different brands of TV so the setup may vary. You do want to find the TV's menu screen. Once you are there, you will need to select antenna. It may be on cable or satellite. Once you have selected antenna you can scan for the digital and analog stations in your area. This antenna is a directional antenna so you will need to point it in the direction of the broadcast towers. If you are unsure of the direction, you can experiment and rotate it around. You can scan for the stations, then rotate a little bit and then scan again until you find the best direction for your location.

This antenna is a directional antenna which means its power is focused in one direction. The antenna would need to point in the direction of the broadcast tower in order to pick up the broadcast. You can rotate the antenna pointing the remote at the control box and clicking on the rotate button. You can also rotate the antenna by pressing the rotate button on the control box.

Note that the antenna will rotate in 1 direction 360 degrees and then it will reverse itself and rotate in the opposite direction 360 degrees.

You should experiment pointing the antenna in different directions and then doing a channel scan to find the right direction to point your antenna.

Frequently Asked Questions

Q: Do we need a converter box?

A: Yes you would need a converter box if you do not have a digital TV. If you have a digital TV then you would not need a converter box.

Q: I need a converter box for my TV. How should I integrate the Antenna Pros setup?

A: It's important to remember that the antenna and the power supply must always have a direct connection to one another. That being said, have the coax cable running from:

Antenna >> Power Supply >> your Converter box >> TV

Q: I have multiple TVs that I want to split this antenna to. How do I go about doing that?

A: If you split anywhere before the power supply box, your antenna in essence will "not work." The power supply has a booster inside of it that helps to amplify signal. It is important that you allow the antenna to pass through the power supply box before distributing it to separate televisions. You can add splitter cables to the back of the power supply box, where it says TV1 and TV2.

Q: Do I have to ground my antenna?

A: Grounding your antenna will prevent electrical surges, so yes it is recommended that you do.

Q: My power supply control box gets really hot. Should I turn it off?

A: We recommend turning off the boxes when they are not being used. You wouldn't leave your TV on when you're not watching, so the same should apply to this booster.